

Data Sheet of Servo Press



Model : P2224-050-300

Servo Press Module		
Compressive Force	KN	50
Tensile Force	KN	50
Stroke	mm	300
Max Ram Speed	mm/sec	120
Max Ram Acceleration	mm/sec ²	1.6
Dwell Time at Nominal Thrust	sec	4
Resolution	µm	1.12
Ram Repeatability ±	mm	0.01
Weight	Kg	177
Admissible Tool Weight	Kg	34
Operating Temperature range	C°	50°
Protection Class	IP	54

Servo Motor		
Servo Motor Rating	KW	3
Holding Brake	v(Optional)	
Encoder	Absolute Multiturn	
Std Cable length	Mtr	5

Servo Drive Powe Unit		
Minimum Input Voltage 3Ø	Vac	200
Maximum Input Voltage 3Ø	Vac	500
Nominal Output Current	A	20.6
Peak Output Current	A	54
Max output power	KW	4

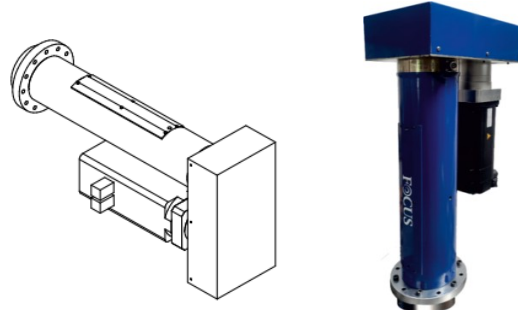
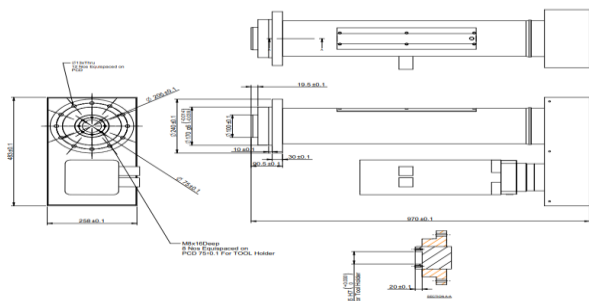
Force Sensor		
Force Sensor Capacity	KN	50
Bridge sensitivity	mV/V	2
Measure Accuracy ±	%FS	0.3
Linearity	%/°C	0.1
Cable	Mtr	5
Maximum operating safe overload	%	150

Force Sensor Amplifier		
Power supply	VDC	24
Bridge excitation	VDC	10
Bridge sensitivity	mV/V	
Gain adjustment (Pot - fine adj.) Span and Zero	%	50
Linearity	%/°C	0.1

Servo Drive Communication		
Profinet	√	
Modbus TCP	√	
DI/DO	Optional	
Ethernet IP	√	

HMI		
Size	Inch	7 or 10
Recipe storage	No	9999
Pendrive for result storage	√	
Press Programming	√	
Load x Position graph	√	
Limit windows	√	
Press Status monitoring	√	

Dimensions:



Focus Controls Pvt. Ltd. Gat No 69, At Post- Shindewadi, Tal- Bhor, Pune 412205 India.