

## LOAD CELL DATA SHEET

TYPE: FC2302A.....



The FC-2302A load cell is available in metric capacities.

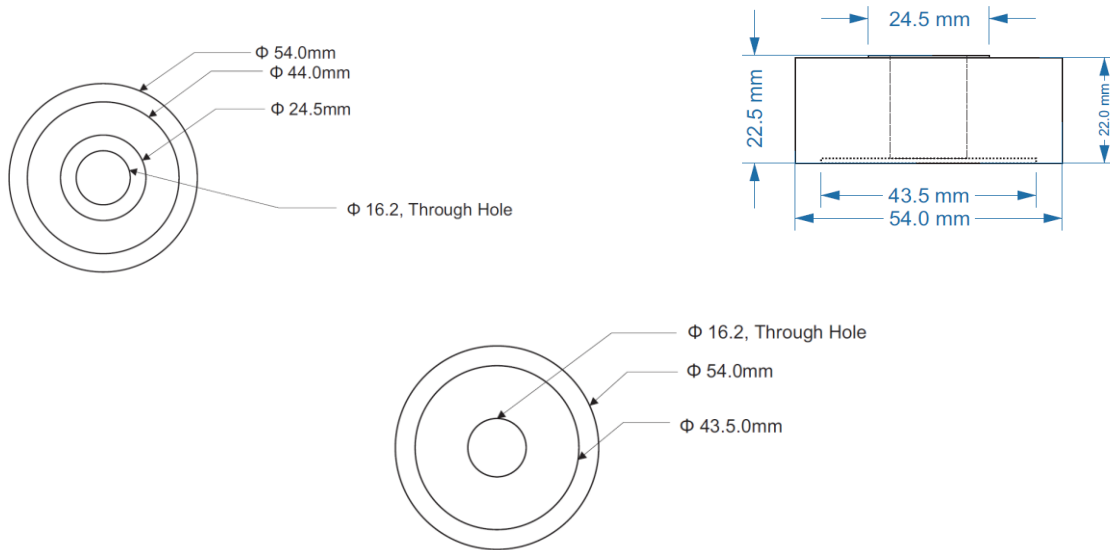
### FEATURES

- Very small in size
- Stainless steel construction
- Used in Compression applications
- Light Weight

### TECHNICAL SPECIFICATIONS:

Parameter	Value
Mesuring Ranges	10 KN to 150 KN
Rated Output R.O.	1.5 ± 0.2 mV/V
Safe Overload	150% of RL
Ultimate Overload	300% of RL
Zero Balance	± 2 % of RL
Maximum Excitation	10 VDC
Sampling Rate	2 to 10 samples per second
Non-Linearity	±0.1% of RL
Non-Repeatability	±0.03% of RL
Hysteresis	±0.15% of RL
Creep - 20 minutes	±0.05 in 20 mins.
Temperature shift Zero	0.015% of RL/C
Temperature shift Span	0.03% of Load/C
Compensated Temperature	-0° to 60 °C
Operating Temperature	-0° to 60 °C
Output Resistance	350Ω nom.
Insulation resistance (200V)	≥ 5GΩ
Construction Material	Stainless Steel
Environment protection	IP67
Cable 5 Mtr.	4 core shielded 0.25 sq. mm

## Dimensions:



## Ordering Key:

### Measuring Range [KN]

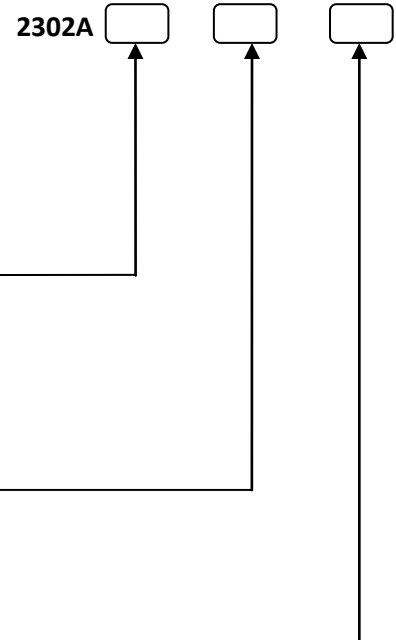
10	10
20	20
30	30
50	50
100	100
150	150

### Sensitivity

Sensitivity 1.5 mV/V (standard)	S
Sensitivity 2.0 mV/V (Option)	O

### Electrical Connector

4 pin circular connector	C
Open wires for amplifier without Connection	W



## Ordering Example: Type 2302A50SW

Load cell Type 2302A measuring range 0...50 KN with standard sensitivity 1.5 mV/V, without connector open wires for amplifier connection.

## Included Accessories:

None.

**Focus Controls Pvt. Ltd.** Gat No 69, At Post- Shindewadi, Tal- Bhor, Pune 412205 India.

Mobile: +91 9850951042, Email: [info@focusautomation.in](mailto:info@focusautomation.in)