

DATA SHEET
UNIVERSAL PANCAKE LOAD CELL

TYPE: FC2300A.....

Description:

Strain Gage Load Cell for Tension
Compression Forces 0.5... 750 kN
The low profile Fatigue Rated
Compression-Tension Load Cell
is designed as the ultimate solution for some
difficult applications with critical height for safety reasons.
The shear web design provided excellent performance
even when the side force inevitably exists in normal
operations. Load cell is constructed of alloy steel & potted
with special chemical compounds to IP67 providing
excellent protection against moisture & humidity.

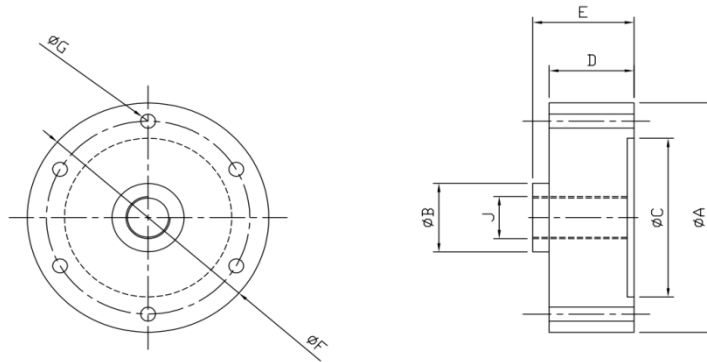


The FC-2300A pan cake type load cell is available in metric capacities.
It has largest capacities of our load cell 500 kg to 75 ton in metric thread.
Most of capacities feature ~2mV/V output built in to alloy steel design.

Technical Data:

Parameter	Value	Unit
Mesuring Ranges	0.5 kN to 750 kN	
Rated Output R.O.	2	± mV/v
Rated output Tolerance	1	± mV/v
Zero Balance	1	± mV/v
Non Linearity	0.015	±% of rated output
Hystersis	0.0.15	±% of rated output
Non-repeatability	0.02	±% of rated output
Creep Error (20 Minutes)	0.03	±% of rated output
Zero Return (20 Minutes)	0.03	±% of applied Load
Temperature Effcet on min. Dead load Output	0.0026	±% of rated output °C
Temperature effect on sensitivity	0.0015	±%of rated output °C
Temparature Range Compensated	-10 to +40	°C
Operating Temperature Range	-20 to +60	°C
Maximum safe Overload	150	% of R.C.
Ultimate Overload	200	% of R.C.
Excitation Recommended	10	Vdc or Vac rms
Excitation maximum	15	Vdc or Vac rms
Input Impedence	770 +-10	Ohms
Output Impedence	700 +-5	Ohms
Insulation Resistance	>5000	mega-ohms
Construction	Anodised Aluminium	
Environmental Protection	IP 67	

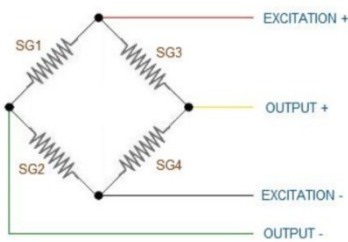
Dimensions:



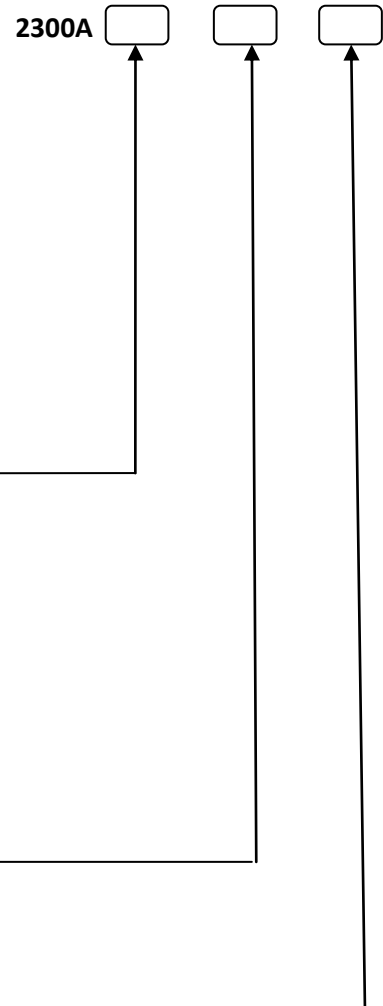
Capacity	A (OD)	B (Center Dia)	C (Step ID with 1mm Depth)	D Width	E Total Width	F PCD (+/- 0.1)	G Mtg Holes	J Center Thread
1 - 7.5 KN	68	18	52	18	20	60	4.5 x 6 Nos	M12x1.75 P
10 - 50 KN	103	39	78	34	37	89	6.5 x 8 Nos	M24x2 P
100 KN	150	54	110	32	35	128	10.5 x 8 Nos	M30x2 P
150 - 200 KN	150	56	110	38	40	128	10.5 x 12 Nos	M30x2 P
300 KN	178	76	130	53	55	152	13 x 16 Nos	M42x3 P
500 - 750 KN	175	85	130	58	60	152.5	13x16 Nos	M42x3 P
1000 KN	200	100	154	90	92	175	13x16 Nos	M64x4 P



Electrical Connections:



Ordering Key:



Measuring Range [kN]

0.5	0.5
1	1
2	2
5	5
10	10
15	15
20	20
30	30
50	50
70	70
100	100
200	200
300	300
500	500
750	750

Sensitivity

Sensitivity 2.0 mV/V (standard)	S
Sensitivity 1.0 mV/V (Option)	O

Electrical Connector

4 pin circular connector	C
Open wires for amplifier without Connection	W

Ordering Example: Type 2300A10SW

Load cell Type 2300A measuring range 0....10 kN with standard sensitivity 2.0 mV/V, without connector open wires for amplifier connection.

Included Accessories:

None.